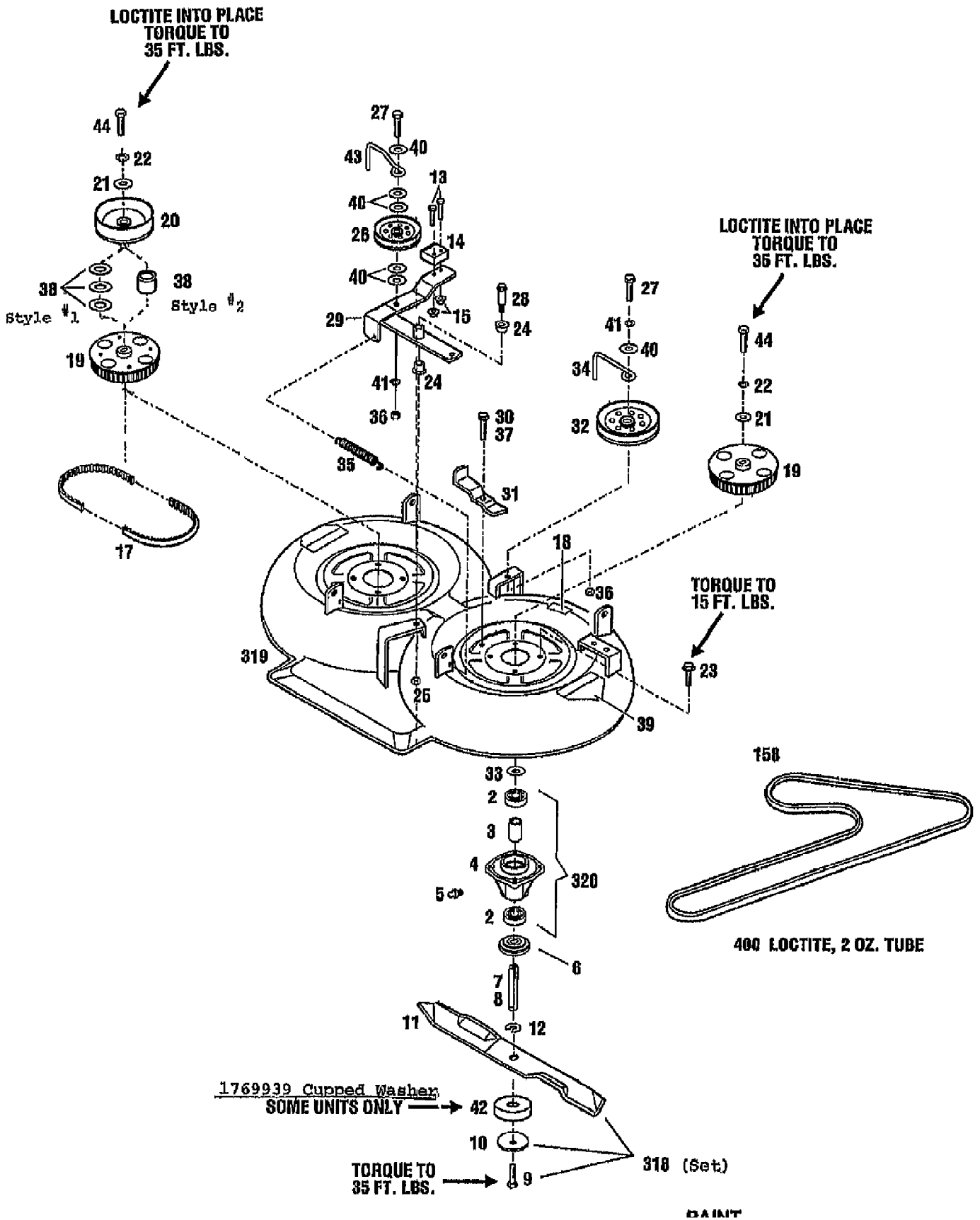


34041 8.5HP (ELEC.) 33" CUT (S/N 01**)
DECK ASSEMBLY

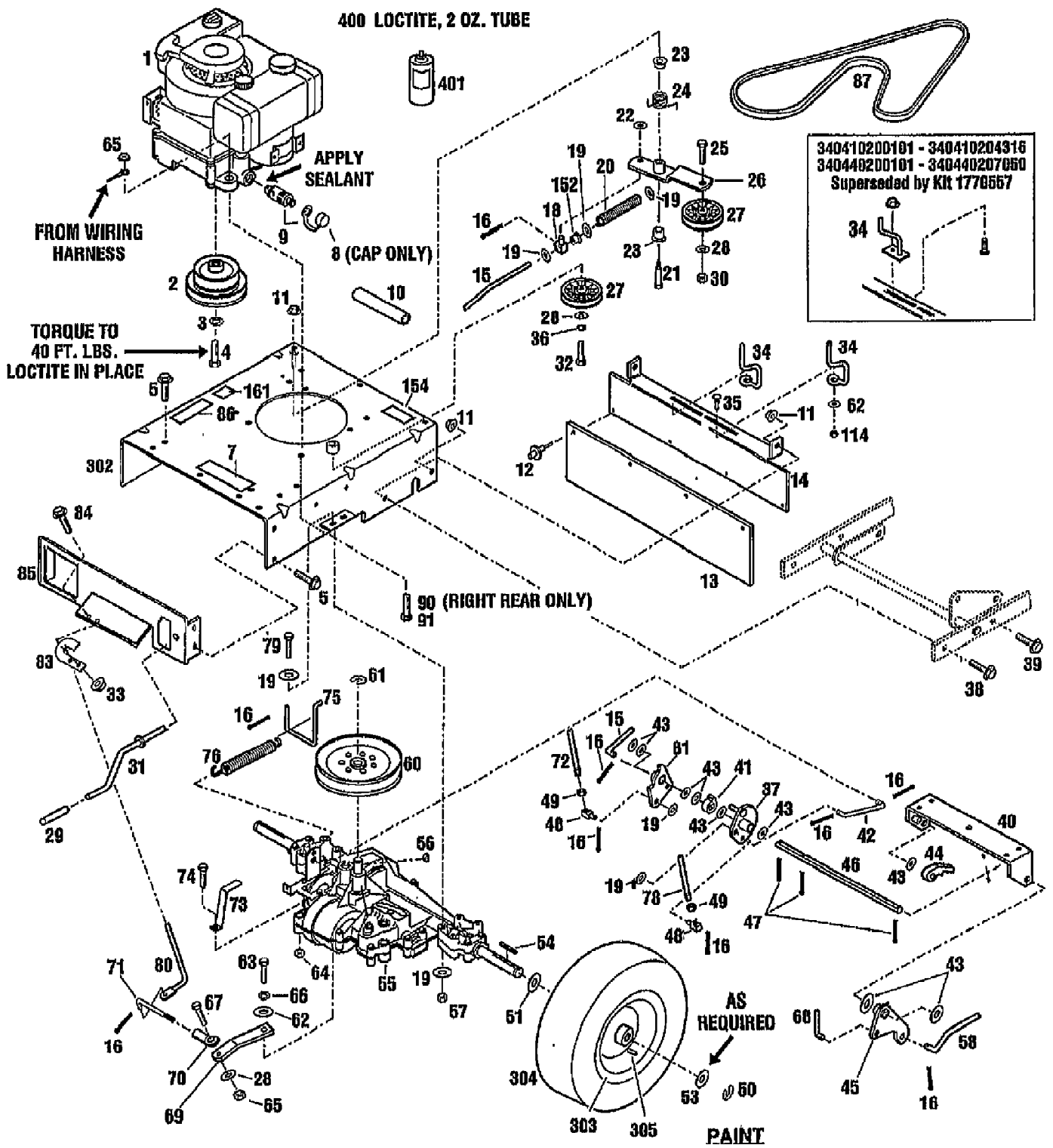


34041 8.5HP (ELEC.) 33" CUT (S/N 01**) DECK ASSEMBLY

Page 2 of 13

Ref #	Part Number	Qty	S/P/F	Description
2	1185574	0	S	BEARING-BALL
3	1746869	0	/P	SPACER
4	1765092	0	S	HOUSING-SPINDLE
5	1185976	0	S	FITTING-GREASE 1/4-28X2.00
6	1765029	0	/P	SPACER-BLADE
7	1766061	0	S	SHAFT-SPINDLE MED. H/T
8	1768169	0	S	SPINDLE-SHAFT LONG H/T
9	1765196	0	/P	SCR-HH 1/2-14X1.00
10	1765197	0	/P	WASHER-BELLEVILLE
11	1769947	0	S	BLADE-33" MULCHING
12	1185649	0	/P	RING-RETAINING EXT .694 ID
13	1747939	0	/P	SCR-HW M10-24X1.25
14	1762245	0		PAD-BRAKE
15	1185985	0	S	NUT W/LKWASHER 10-24 ZP
17	1764995	0	S	BELT-DRIVE
18	1768435	0		DECAL-CAUTION PINCH POINT
19	1770432	0	S	COGGED PULLEY, 56T (SUPERCEDES 1765406)
20	1769362	0	S	PULLEY-BLADE DRIVE ZP
21	1736484	0	S	WASHER-1.37X.453X.179 ZP
22	1100244	0	S	WASHER-LK .438 ZP
23	1766984	0	/P	SCR-HFLK 5/16-18X.75
24	1715538	0	/P	BUSHING-.5X.5 NYLON FLNG
25	1186393	0	/P	NUT-HFLK 3/8-16 ZP
26	1764001	0		PULLEY-IDLER
27	1100062	0	/P	SCR-HH 3/8-16X2.50
28	1763219	0	/P	SCR-SHLDR 3/8-16
29	1764913001	0		ASSM-BRAKE ARM
30	1100044	0	S	SCR-HHC 5/16-18X.75 GR 5 ZP
31	1765327001	0		BRKT-BELT TENSION ADJ
32	1749911	0	/P	PULLEY
33	1766787	0	/P	WASHER-THRUST .75 ID
34	1720717	0	/P	GUIDE-BELT
35	1756595	0	/P	SPRING-EXTENSION
36	1186231	0	S	NUT-HEX 3/8-16 ZP
37	1732499	0	/P	NUT-TOP/LK 5/16-18 ZP
38	1723996	0	/P	SPACER-PULLEY ZP
39	1739687	0	/P	DECAL-OPEI CAUTION
40	1107383	0	S	WASHER-FLAT 3/8 SAE
41	1100243	0	S	WASHER-LK .375 @ DEPL
42	1769939	0		WASHER-CUP 2.76X1.0X.4 (SOME UNITS)
43	1763752	0		GUIDE-BELT
44	1769397	0	/P	SCR-HH 7/16-14X1.25
158	1764906	0	S	BELT-V
318	1769987	0		KIT-2 BLADE WC MWR 33" (SUPERCEDES 1768492) SET OF 2 (INCL. 9,10 AND 318)
319	1768495	0		ASSM-DECK 33" (INCL. 39 & 18)
320	1769048	0	S	ASSM-MOWER SPINDLE (INCL. 2 - 5)
400	97092	0	S/F	LOCTITE-242 (.5 ML TUBE)
	1900706	0	S	PAINT-RED SPRAYCAN POWDER
	1735222	0	/P	PAINT-BLACK SPRAY

34041 8.5HP (ELEC.) 33" CUT (S/N 01**)
DRIVE ASSEMBLY



34041 8.5HP (ELEC.) 33" CUT (S/N 01**)
DRIVE ASSEMBLY

Page 4 of 13

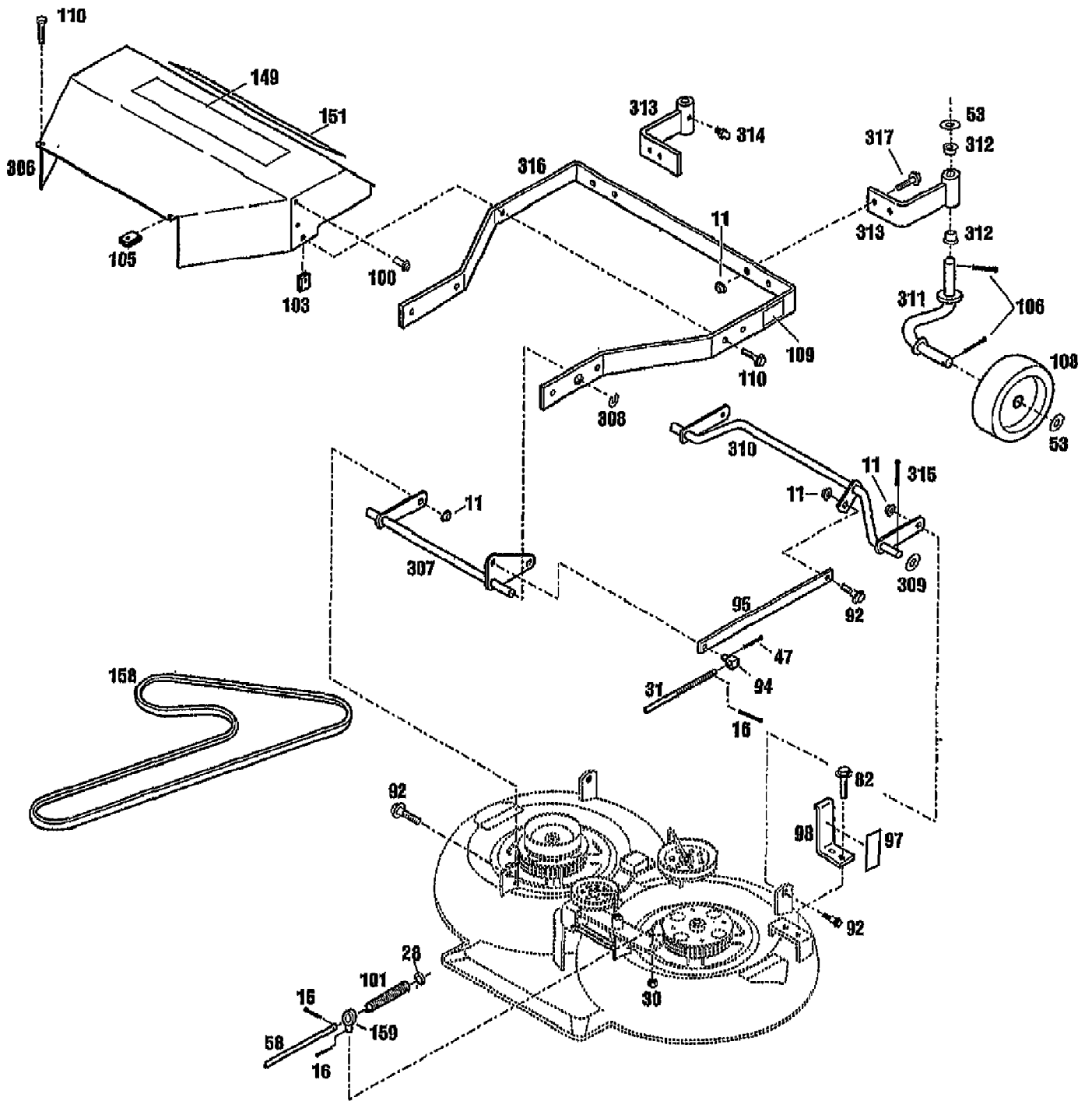
Ref #	Part Number	Qty	S/P/F	Description
1	0	0	F	ENGINE, 8.5HP ELEC. START MODEL 196707- 0141 (34041)
1	0	0	F	ENGINE, 8.5HP RECOIL START MODEL 196702- 0142 (34044)
2	1769954	0		ENGINE SHEAVE-HW&WC (SUPERCEDES 1764991)
3	1100244	0	S	WASHER-LK .438 ZP
4	1736485	0	S	SCR-HH 7/16-20X1.25 G5ZP
5	1186328	0	S	SCR-HFLK 5/16-18X.62 G5ZP
7	1768450	0	/P	DECAL-WARNING
8	1766326	0		CAP-OIL DRAIN
9	1768865	0	S	ASSM-OIL VALVE (INCL. 8)
10	1769006	0	S	HOSE-OIL DRAIN
11	1186393	0	/P	NUT-HFLK 3/8-16 ZP
12	1727379	0	/P	RIVET-POP 3/16 X 5/8
13	1764986	0		FLAP-DEFLECTOR
14	1764985001	0		BRACKET-FLAP MTG
15	1768610	0		ROD-LOWER TRANS
16	1185147	0	S	PIN-COTTER .093X.625
18	1765036	0		BLOCK-PIVOT
19	1107382	0	/P	WASHER-FLAT 5/16 SAE
20	1711864	0	/P	SPRING-COMPRESSION
21	1763219	0	/P	SCR-SHLDR 3/8-16
22	1705108	0	S	WASHER-.632X.39X.0329
23	1715538	0	/P	BUSHING-.5X.5 NYLON FLNG
24	1764992	0		SPRING-TORSION
25	1748393	0		SCR-CARR 3/8-16X1.75 G5 ZP
26	1764920	0	S	ASSM-IDLER ARM ZP
27	1756151	0	/P	IDLER
28	1107383	0	S	WASHER-FLAT 3/8 SAE
29	1715685	0	/P	GRIP-PLASTIC
30	1733398	0	S	NUT-LOCK 3/8-16
31	1769895	0	S	ASSM-CRANK LIFT
32	1100086	0	S	SCR-HH 3/8-16X1.75 G5 ZP
33	1186389	0	/P	NUT-HF/LK 1/4-20 ZP
34	1770557	0	F	KIT-BELT GUIDE
34	1769522	0	F	ASSM-BELT GUIDE
35	1186069	0	S	SCR-CARR 1/4-20X.75 G2 ZP
36	1100243	0	S	WASHER-LK .375 @ DEPL
37	1768486	0		ASSM-BRAKE ARM PIVOT
38	1186348	0	/P	SCR-HFLK 3/8-16X1.25 ZP
39	1186347	0	S	SCR-HFLK 3/8-16X1.00 ZP
40	1768622001	0		ASSM-PIVOT BRACKET
41	1768059	0		CAM-INTERLOCK
42	1768612	0		ROD-LOWER BRAKE
43	1702646	0	/P	WASHER-FLAT 1.0X.516X.031
44	1768060	0		LATCH-INTERLOCK
45	1768621	0		ASSM-BLADE PIVOT ARM
46	1768615	0		SHAFT-PIVOT
47	1100349	0	S	PIN-COTTER .125 X .75 ZP
48	1725264	0	/P	BLOCK-SWIVEL ZP
49	1186258	0	S	NUT-HEX JAM 5/16-18

34041 8.5HP (ELEC.) 33" CUT (S/N 01**)
DRIVE ASSEMBLY

Page 5 of 13

Ref #	Part Number	Qty	S/P/F	Description
50	1185388	0	S	RING-RET."E".577 ID
51	1708012	0	S	WASHER-1.5X.755X.062
53	1701447	0	/P	WASHER-1.25X.765X.049
54	1181011	0		KEY-.188 SQ X 2.5
55	0	0		PEERLESS TRANSMISSION ASSEMBLY, MODEL 915- 021 (SEE GRIDS D-9/10 FOR BREAKDOWN)
56	1104436	0	S	KEY-WOODRUFF .188X.75
57	1732499	0	/P	NUT-TOP/LK 5/16-18 ZP
58	1769035	0		ROD-LOWER BLADE
60	1764993	0		SHEAVE-TRANS DRIVE
61	1118808	0	/P	RING-RETAIN .625 ID
62	1107381	0	S	WASHER-FLAT 1/4 SAE
63	1100002	0	S	SCR-HH 1/4-28X.75 G5 ZP
64	1186391	0	S	NUT-HFLK 5/16-18 ZP
65	1110108	0	S	NUT-H/LK 3/8-16
66	1100241	0	S	WASHER-LK .25 ZP
67	1100043	0	S	SCR-HH 3/8-16X1.25
68	1768613	0		ROD-UPPER BLADE
69	1768140	0	S	ARM-TRANSMISSION ZP
70	1767837	0	/P	JOINT-BALL
71	1768628	0	/P	ROD-SHIFT LINK
72	1768609	0		ROD-UPPER TRANS MOWER
73	1768381001	0	/P	BRKT-BELT SUPPORT
74	1111606	0		SCR-HH 5/16-18X2.00
75	1768624	0	/P	ROD-SPRING ATTACHMENT
76	1768636	0	/P	SPRING-EXTENSION
78	1768611	0		ROD-UPPER BRAKE
79	1111609	0	S	SCR-HH 5/16-18X2.75 G5 ZP
80	1768627	0		ASSM-SHIFT LEVER
81	1768488	0		ASSM-CLUTCH ARM PIVOT
83	1768630001	0	/P	BRKT-SHIFT ROD MTG
84	1186308	0	S	SCR-HFLK 1/4-20X.50 ZP
85	1769852010	0	/P	PLATE-BACK
86	1768436	0		DECAL-WARNING THROWN OBJECT
87	1764942	0	/P	BELT-TRANS DRIVE
90	1768194	0	S	SCR-THRD FRM 3/8-16X1.50
91	1762042	0		SCR-HH 3/8-16X1.0 THDFM
114	1734398	0	S	NUT-HT LK 1/4-20
152	1716338	0		BEARING
154	1901899	0		DECAL-AMERICAN LEGEND-SM
161	1769049	0		DECAL-STEP
302	1768494	0		ASSM-FRAME (INCL. 7 & 86)
303	1768180	0	/P	WHEEL
304	1756444	0	S	TIRE
305	1718086	0	S	STEM-VALVE
400	97092	0	S	LOCTITE-242 (.5 ML TUBE)
401	1900706	0	S	PAINT-RED SPRAYCAN POWDER
	1768582	0		ENGINE SERVICE KIT
	1735222	0	/P	PAINT-BLACK SPRAY

34041 8.5HP (ELEC.) 33" CUT (S/N 01**)
FRONT FRAME ASSEMBLY

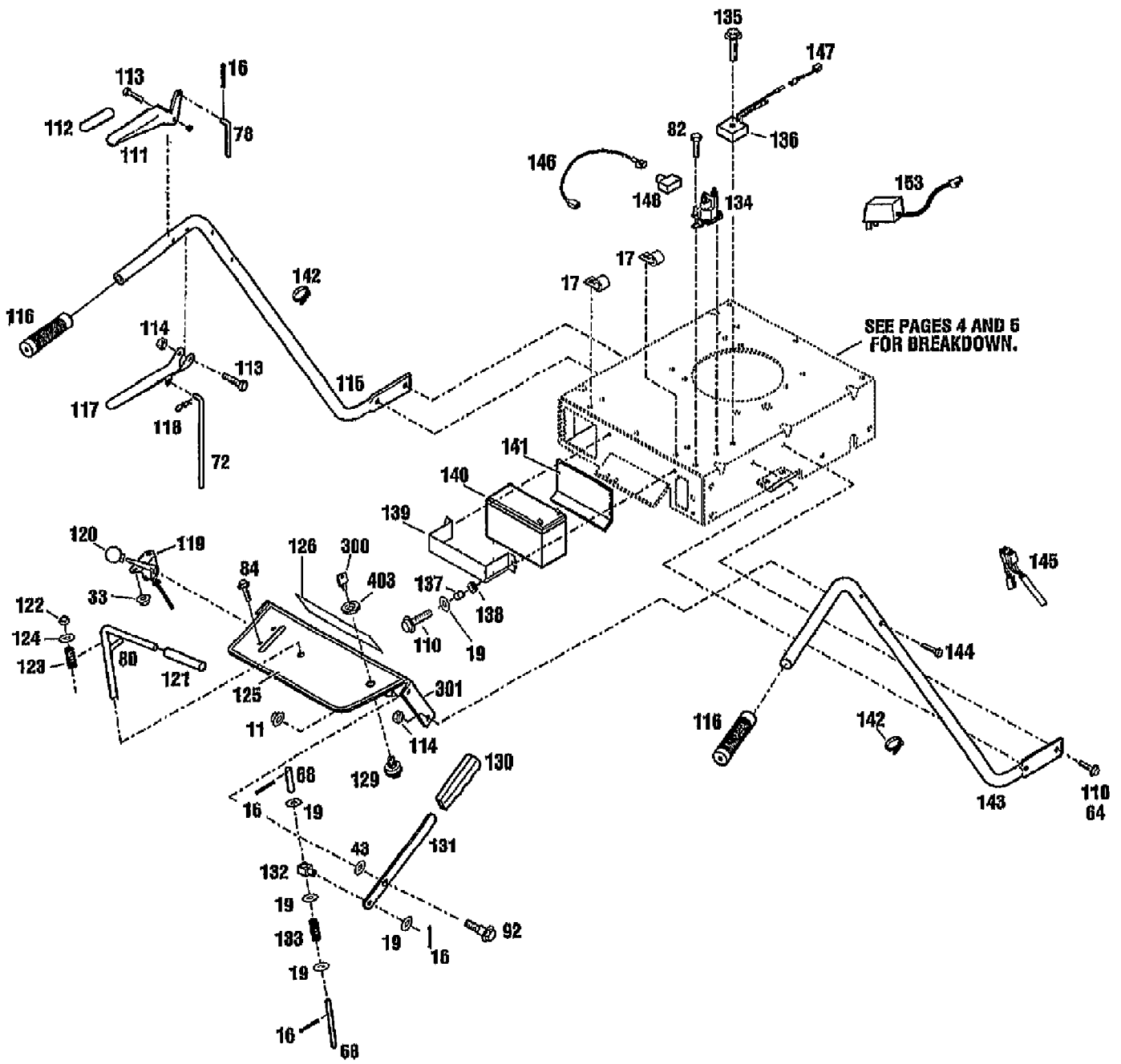


34041 8.5HP (ELEC.) 33" CUT (S/N 01**)
FRONT FRAME ASSEMBLY

Page 7 of 13

Ref #	Part Number	Qty	S/P/F	Description
11	1186393	0	/P	NUT-HFLK 3/8-16 ZP
16	1185147	0	S	PIN-COTTER .093X.625
28	1107383	0	S	WASHER-FLAT 3/8 SAE
30	1733398	0	S	NUT-LOCK 3/8-16
31	1769895	0	S	ASSM-CRANK LIFT
47	1100349	0	S	PIN-COTTER .125 X .75 ZP
53	1701447	0	/P	WASHER-1.25X.765X.049
58	1769035	0		ROD-LOWER BLADE
82	1724492	0		SCR 1/4-20X.5 FL SELF TAP
92	1754125	0	/P	SCR-SHLDR 3/8-16X.25 G5ZP
94	1768231	0	/P	BLOCK-PIVOT ZP
95	1768230001	0		BAR-LEVELER
97	1768459	0		DECAL-CUTTING HEIGHT
98	1768471001	0		BRKT-HEIGHT ADJUSTING
100	1740752	0		RIVET-POP .125
101	1769007	0	/P	SPRING-COMPRESS BLADE ROD
103	1185498	0	S	NUT 5/16-18 SPEED
105	1185873	0	S	NUT-SPEED
106	1100352	0	/P	PIN-COTTER .125X1.5
108	1743891	0	S	GAUGE-WHEEL
109	1768460	0		DECAL-CUT LINE
110	1186329	0	S	SCR-HFLK 5/16-18X.75 ZP
149	1768385	0	S	DECAL-TROY BILT
151	1768390	0		DECAL-33" MULCHING
158	1769830	0	/P	BELT-V
159	1769038	0		BOLT-EYE
165	1754125	0	/P	SCR-SHLDR 3/8-16X.25 G5ZP (WAS 1703051)
306	1764996010	0	S	COVER-BELT
307	1768128	0		LIFT
308	1177567	0	S	RING-RETAINING
309	1705093	0	S	WASHER-1.0X.64X.029
310	1768129001	0		ASSM-FRONT LIFT
311	1768477001	0	/P	ASSM-SPINDLE
312	1764140	0	/P	BUSHING
313	1768133001	0		BAR-WHEEL SUPPORT
314	1185976	0	S	FITTING-GREASE 1/4-28X2.00
315	1100351	0		PIN-COTTER .120X1.25 ZP
316	1768120001	0		FRAME-FRONT
317	1186347	0	S	SCR-HFLK 3/8-16X1.00 ZP
402	1735222	0	/P	PAINT-BLACK SPRAY
	1900706	0	S	PAINT-RED SPRAYCAN POWDER

34041 8.5HP (ELEC.) 33" CUT (S/N 01**)
HANDLEBAR AND CONSOLE



34041 8.5HP (ELEC.) 33" CUT (S/N 01**)
HANDLEBAR AND CONSOLE

Page 9 of 13

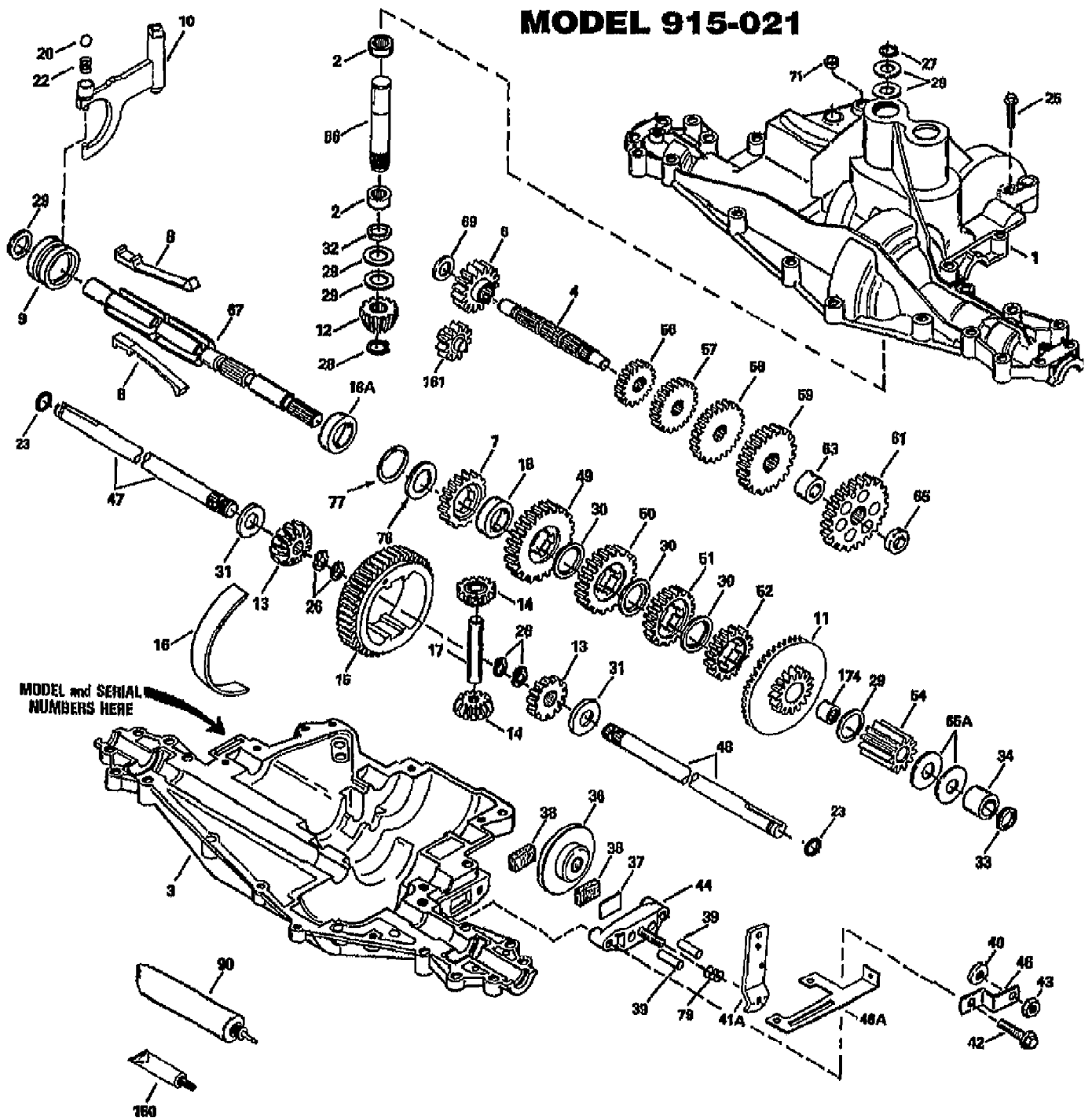
Ref #	Part Number	Qty	S/P/F	Description
11	1186393	0	/P	NUT-HFLK 3/8-16 ZP
16	1185147	0	S	PIN-COTTER .093X.625
17	1747738	0	/P	CLIP-J
19	1107382	0	/P	WASHER-FLAT 5/16 SAE
33	1186389	0	/P	NUT-HF/LK 1/4-20 ZP
43	1702646	0	/P	WASHER-FLAT 1.0X.516X.031
64	1186391	0	S	NUT-HFLK 5/16-18 ZP
68	1768613	0		ROD-UPPER BLADE
72	1768609	0		ROD-UPPER TRANS MOWER
78	1768611	0		ROD-UPPER BRAKE
80	1768627	0		ASSM-SHIFT LEVER
82	1724492	0		SCR 1/4-20X.5 FL SELF TAP {34041}
84	1186308	0	S	SCR-HFLK 1/4-20X.50 ZP
92	1703051	0	/P	BOLT-SHOULDER MOWER
110	1186329	0	S	SCR-HFLK 5/16-18X.75 ZP
111	1769791	0	/P	KIT-HANDLE ASSM
112	1768452	0		DECAL-OPC MOWERS
113	1100811	0	S	SCR-HH 1/4-20X1.5 G5ZP
114	1734398	0	S	NUT-HT LK 1/4-20
115	1764922010	0	/P	HANDLEBAR-LH
116	1703539	0	S	GRIP-FLEX
117	1768131001	0		HANDLE-CONTROL MOWER
118	1717897	0	/P	PIN-CLIP .08
119	1768191	0	S	CABLE-THROTTLE CONTROL
120	1737118	0	S	KNOB
121	1737041	0	/P	GRIP-HANDLE
122	1715716	0	/P	BUSHING-.5X.21 NYLON FLNG
123	1723428	0		SPRING
124	1107385	0	S	WASHER-1.06X.531X.1 ZP
125	1768456	0		DECAL-WARNING STD WC {34044}
125	1768457	0		DECAL-WARNING ELEC WC {34041}
126	1768389	0	S	DECAL-WIDE CUT T/B
129	1734196	0	S	ASSM-KEYSWITCH {34041}
130	1764984	0	S	GRIP-HANDLE
131	1768223	0	/P	LEVER-MOWER ENGAGE ZP
132	1768170	0		BLOCK-PIVOT
133	1727343	0		SPRING-COMPRESSION
134	1752137	0	S	SOLENOID {34041}
135	1747027	0		SCR-HFLK {34041}
136	1768464	0	S	REGULATOR
137	1749778	0		SPACER {34041}
138	1769080	0	/P	GROMMET {34041}
139	1768159010	0	/P	BRACKET-BATTERY {34041}
140	1768158	0	/P	BATTERY {34041}
141	1769081	0		PAD-BATTERY {34041}
142	1735531	0	S	TIE-CABLE NYLON BLACK
143	1764923010	0	/P	HANDLEBAR-RH
144	1111601	0	/P	SCR-HH 1/4-20X1.75 G5 ZP
145	1770371	0		HARNESS-WIRING {34041}
146	1768444	0		ASSM-WIRE LEAD {34041}
147	1768331	0		ADAPTER-HARNESS {34041}
148	1734364	0		BOOT-CABLE {34041}
153	1768449	0	/P	CHARGER-BATTERY {34041}

34041 8.5HP (ELEC.) 33" CUT (S/N 01**)
HANDLEBAR AND CONSOLE

Page 10 of 13

Ref #	Part Number	Qty	S/P/F	Description
300	1753986	0	/P	KEY-IGNITION {34041}
301	1768640	0		ASSM-CONSOLE {34044} (INCL. 125)
301	1768493	0	/P	ASSM-CONSOLE {34041}
403	1770592	0		NUT-IGNITION SWITCH
	1900706	0	S	PAINT-RED SPRAYCAN POWDER
	1735222	0	/P	PAINT-BLACK SPRAY

34041 8.5HP (ELEC.) 33" CUT (S/N 01**) PEERLESS TRANSAXLE 915-021



34041 8.5HP (ELEC.) 33" CUT (S/N 01**)
PEERLESS TRANSAXLE 915-021

Page 12 of 13

Ref #	Part Number	Qty	S/P/F	Description
1	772113	0		TRANSAXLE COVER
2	780086	0		NEEDLE BEARING
3	770110	0		TRANSAXLE CASE
4	776300	0		COUNTERSHAFT
6	778281	0		SPUR GEAR(16 TEETH)
7	778122A	0		SPUR GEAR(22 TEETH)
8	792133	0		SHIFT KEY
9	784352	0		SHIFT COLLAR
10	784365	0		SHIFT ROD & FORK
11	778261	0		BEVEL GEAR & BEARING(INC. 174)
12	778262	0		BEVEL PINION(14 TEETH)
13	778221	0		BEVEL GEAR(16 TEETH)
14	778068	0		DIFFERENTIAL PINION
15	778260	0		RING GEAR
16	786150	0		BEARING STRIP
17	786139	0		DRIVE PIN
18	786147	0		NEUTRAL SPACER
18A	786159	0		NEUTRAL SPACER
20	792077	0		STEEL BALL,5/16* DIA
22	792079	0	S	SPRING
23	788061	0	S	SEAL RING
25	792073	0		SCREW, 1/4-20X1-1/4"
26	792125	0		RETAINING RING
27	792035	0	S	RETAINING RING
28	788040	0		RETAINING RING
29	780072	0	S	WASHER
30	780108	0	S	WASHER
31	780001	0		WASHER
32	792001	0	S	"O"RING
33	788076	0		"O"RING
34	780159	0		BUSHING
36	790071	0		BRAKE DISK
37	790007	0	S	BRAKE PAD PLATE
38	799021	0		BRAKE PAD (PKG. OF 2)
39	786026	0	S	DOWEL PIN
40	792076A	0		WASHER
41A	790045	0		BRAKE LEVER
42	792073	0		SCREW, 1/4-20X1-1/4"
43	792075	0		LOCKNUT, 5/16-24
44	790025	0		BRAKE PAD HOLDER
46	786086	0		BRAKE LEVER BRACKET
46A	790063A	0		BRAKE BRACKET
47	774747	0		AXLE (16-1/4" LONG)
48	774888	0		AXLE (11" LONG)
49	778239	0		SPUR GEAR (32 TEETH)
50	778250	0		SPUR GEAR (27 TEETH)
51	778123A	0	S	SPUR GEAR (25 TEETH)
52	778122A	0		SPUR GEAR (22 TEETH)
54	778263	0		SPUR GEAR (11 TEETH)
56	778240	0		SPUR GEAR (18 TEETH)
57	778249	0		SPUR GEAR (23 TEETH)
58	778127A	0		SPUR GEAR (25 TEETH)
59	778128A	0		SPUR GEAR (28 TEETH)

34041 8.5HP (ELEC.) 33" CUT (S/N 01**)
PEERLESS TRANSAXLE 915-021

Page 13 of 13

Ref #	Part Number	Qty	S/P/F	Description
61	778265	0		SPUR GEAR (34 TEETH)
63	786155	0		SPACER
65	780162	0		WASHER
65A	780160	0		WASHER
66	776299	0		INPUT SHAFT
67	776352	0		SHIFTER & BRAKE SHAFT
69	780161	0		WASHER
71	788069	0		SQUARE CUT RING
76	780090	0		WASHER
77	788078A	0		INVERTED RETAINING RING (PKG. OF 2)
79	792144	0		SPRING
90	788067B	0		GREASE (32 OZ. BTL. BENTONITE GREASE)
150	510334	0	S	GASKET ELIMINATOR (LOCTITE #515)
161	776302	0		REVERSE IDLER
174	780085	0		NEEDLE BEARING